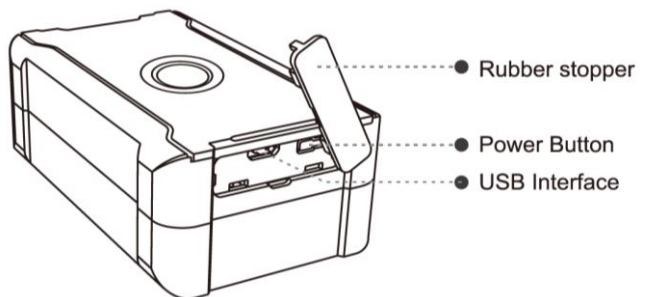


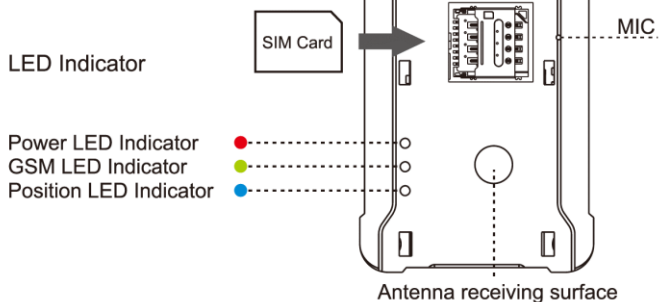
Welcome to the justTRAC tracking solution group! We are pleased to be of service to you and look forward to being in contact. Your unit is ready for operation and includes a GSM data SIM loaded with a data bundle service.

jt20 Small Asset Tracker



CAREFULL!!

See notes on how to remove the jt20 top cover.



IMPORTANT NOTE: Removing Top Lid

CAREFULLY remove the top lid to view the LED status lights by slightly lifting and unclipping each corner of the lid. Then gently lift the lid to unclip the centre mounts. Replace lid by pressing each corner firmly.

LED Indicator	LED Indicator Status
Power LED (Red)	Solid light: Unit is charging
	Slowly blinking: Battery fully charged
	Quick blinking: Low battery level
	No light: Unit operational and in sleeping mode
GSM LED (Green)	Quick blinking: GSM initialisation
	Slowly blinking: GSM received normal signal
	No light: Unit operational and in sleeping mode
GPS location LED (Blue)	Quick blinking: Searching signal
	Slowly blinking: Signal normal
	No light: Unit operational and in sleeping mode

WHAT TO DO WHEN YOUR ASSET IS STOLEN

Contact Afrisist

Directly report the incident to Afrisist so they can start the tracking and recovery process.

Afrisist contact details can be found on www.justtrac.com or www.afrisist.com

Tracking Subscription

To activate your device tracking and recovery service please go to www.justtrac.com and sign-up for the monthly subscription. Once your subscription has been purchased the justTRAC team will register you and provide you with login details via email that will be used to track your device.

To track your unit, use the justTRAC mobile app which can be downloaded from the Play Store/Apple Store or you can track your device by visiting www.justtrac.co.za, where you will login using the details provided. Once opened, click on the "map" tab, choose your group and select the devices you wish to monitor.

PREPARING FOR INSTALLATION

Charging your unit:

1. Gently open the rubber cover and connect the charger on the USB port. Charge for a period of 48-72 hours.
2. Solid red indicates battery is charging, slow flashing indicates fully charged.

Start-up Actions

1. Power-on the unit – Long hold the power button for 3 seconds until flashing.
2. The unit will complete the start-up cycle and once all the LED lights are off the unit is operational and will be in sleeping mode.
3. Check that the unit is reporting correctly by logging into the portal or using the mobile App.
4. Place the jt20 inside the mould, it is now ready for installation.

INSTALLATION GUIDE

Correct installation is critical to ensure your unit remains connected with the GSM network and can transmit reliable GPS location messages. The jt20 comes with a rugged rubber sleeve with 4 mounting holes and 2 extra length cable ties. Use cable ties to secure the unit to a hidden location on your bike, quad or any desired asset.

UNIT WEATHER PROTECTION

Insert the unit in the rubber sleeve, top side up. You can seal the edge with silicon sealant for optional extra protection.

HIDDEN

The primary objective is to recover your asset when it has been stolen. Take care to install the unit in a location which will not be readily identified by thieves to prevent tampering with the tracker.

DO NOT ENCLOSE IN STEEL

The unit must remain connected to the GSM network and cannot transmit the GPS signal if the unit is fully enclosed in a steel compartment.

ASSET RECOVERY

Your monthly justTRAC subscription includes an asset recovery service should your unit be stolen. justTRAC offers this service in partnership with Afrisist.

